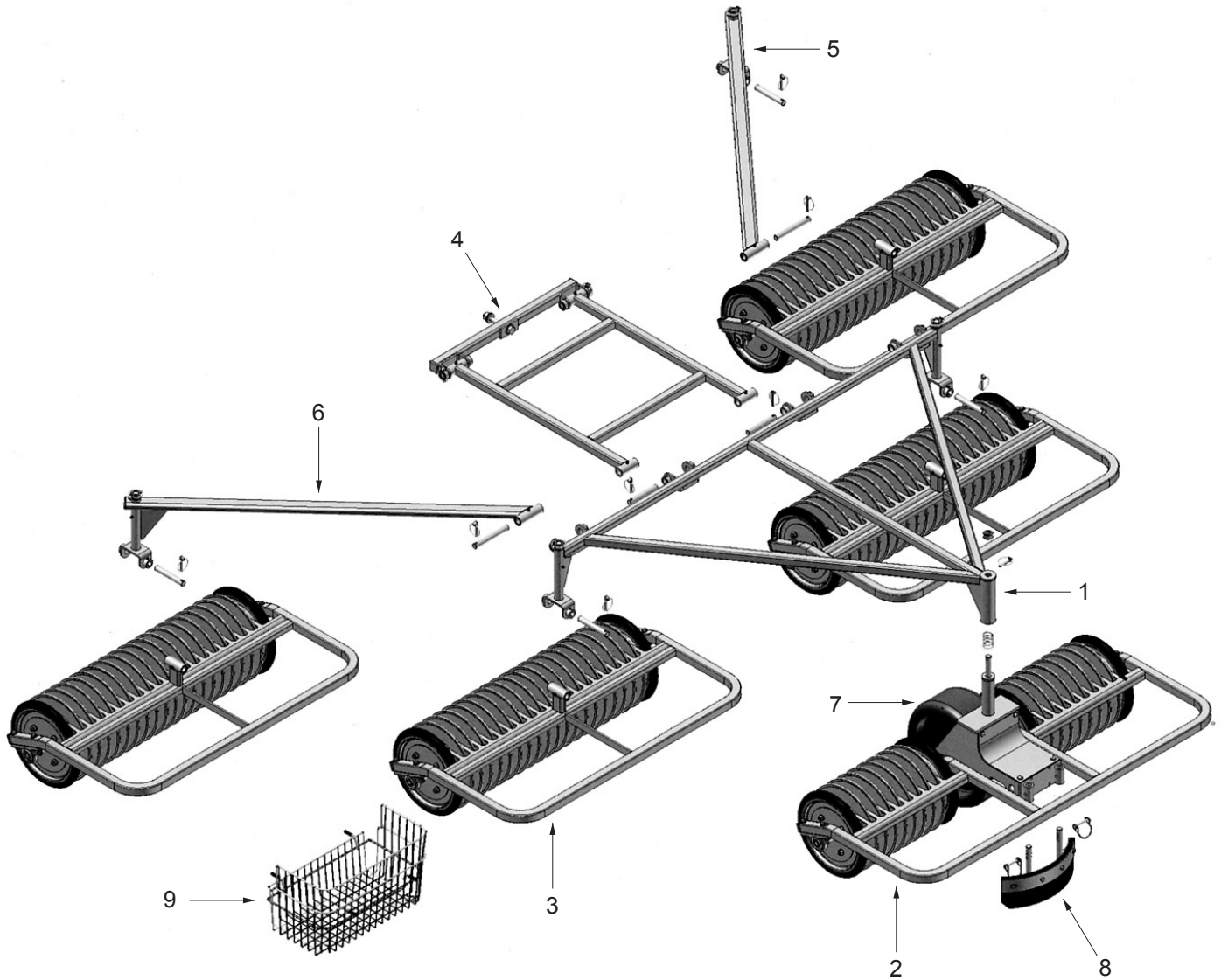


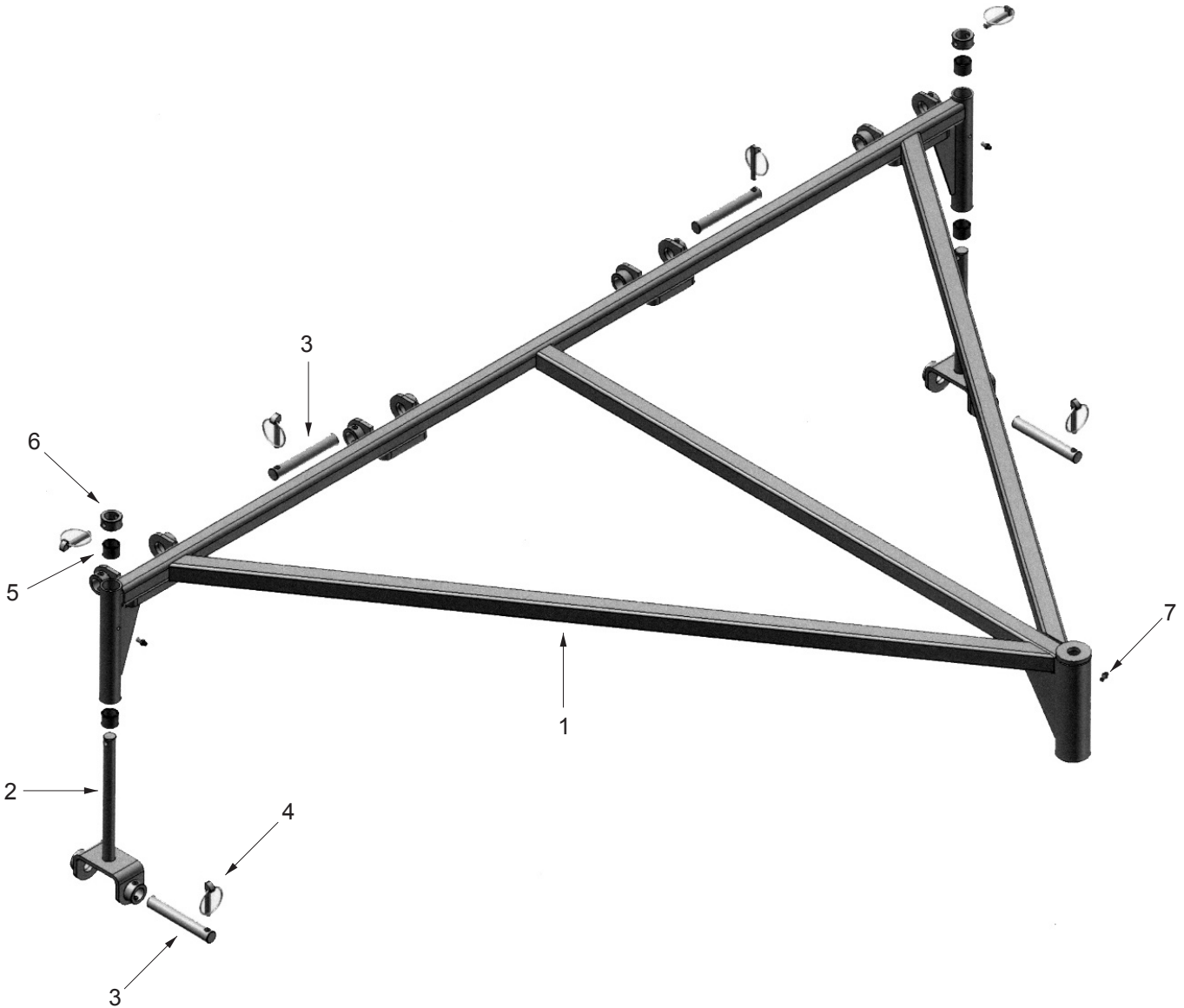
MAGNUM HARVESTER THREE AND FIVE GANG ASSEMBLY

80000 (Three Gang), 80100 (Five Gang)



Key Number/Item Description/Quantity/Part Number/Page Number

1	A-Frame Assembly	1	80400	Page 1
2	Front Gang Assembly	1	80500	Page 2-3
3	Back Gang Assembly	2-4	80600	Page 4-5
4	Push Frame Mounting Assembly	1	80700	Page 6
5	Left Arm Extension Assembly (5 gang only)	0-1	80800	Page 7
6	Right Arm Extension Assembly (5 gang only)	0-1	80900	Page 8
7	Front Tire Assembly	1	81000	Page 9
8	Ball Deflector Assembly	1	81100	Page 10
9	Wire Basket	6-10	83119	Page 11

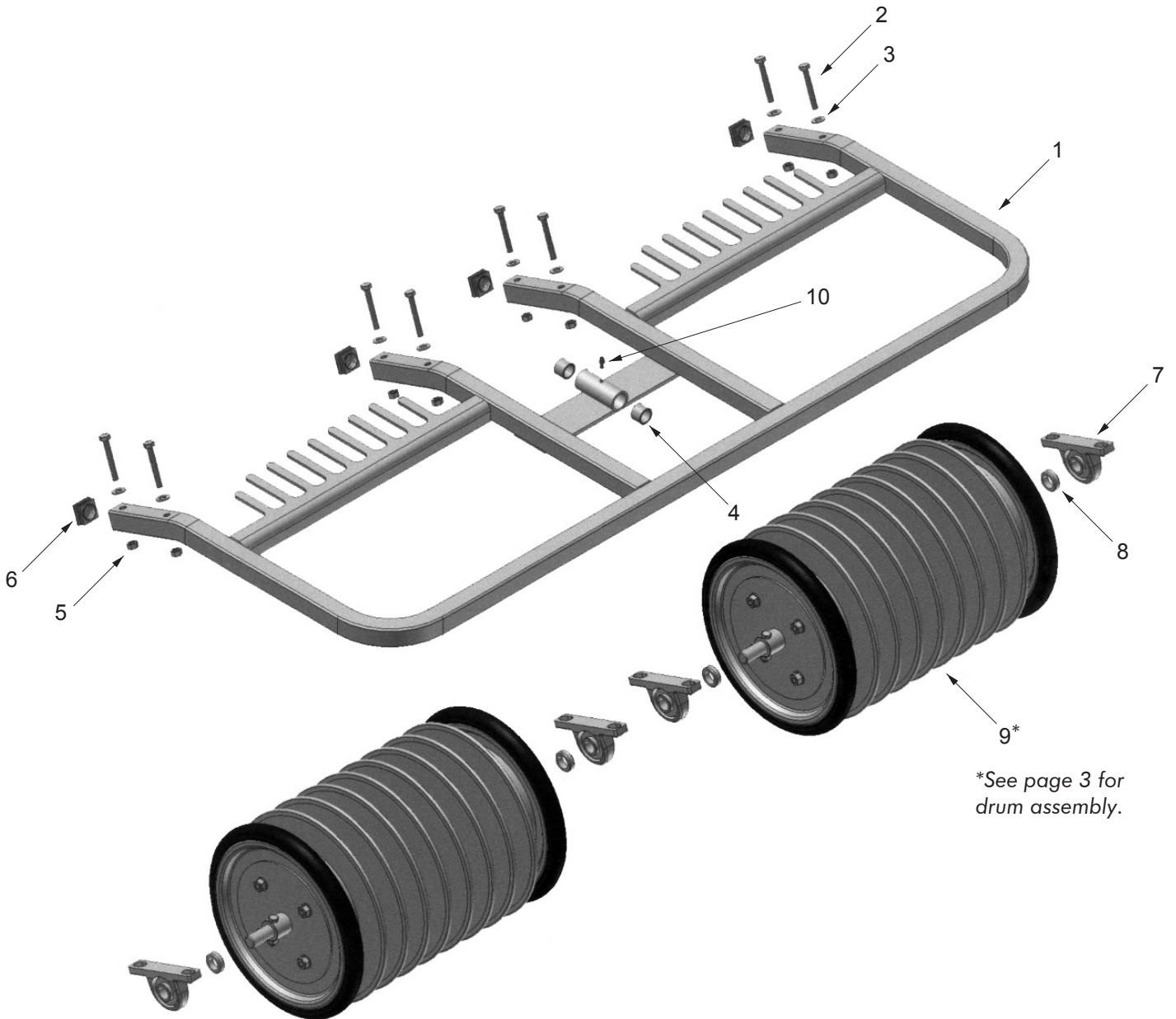


Key Number/Item Description/Quantity/Part Number

1	A-Frame	1	81200
2	Gang Pin	2	81300
3	Pivot Pin 3/4" (19mm) Dia.	4	83103
4	Safety Snap Ring	6	83123
5	Bushing	4	83101
6	Pin Collar	2	83102
7	Grease Zerks	3	

MAGNUM HARVESTER FRONT GANG ASSEMBLY

80500



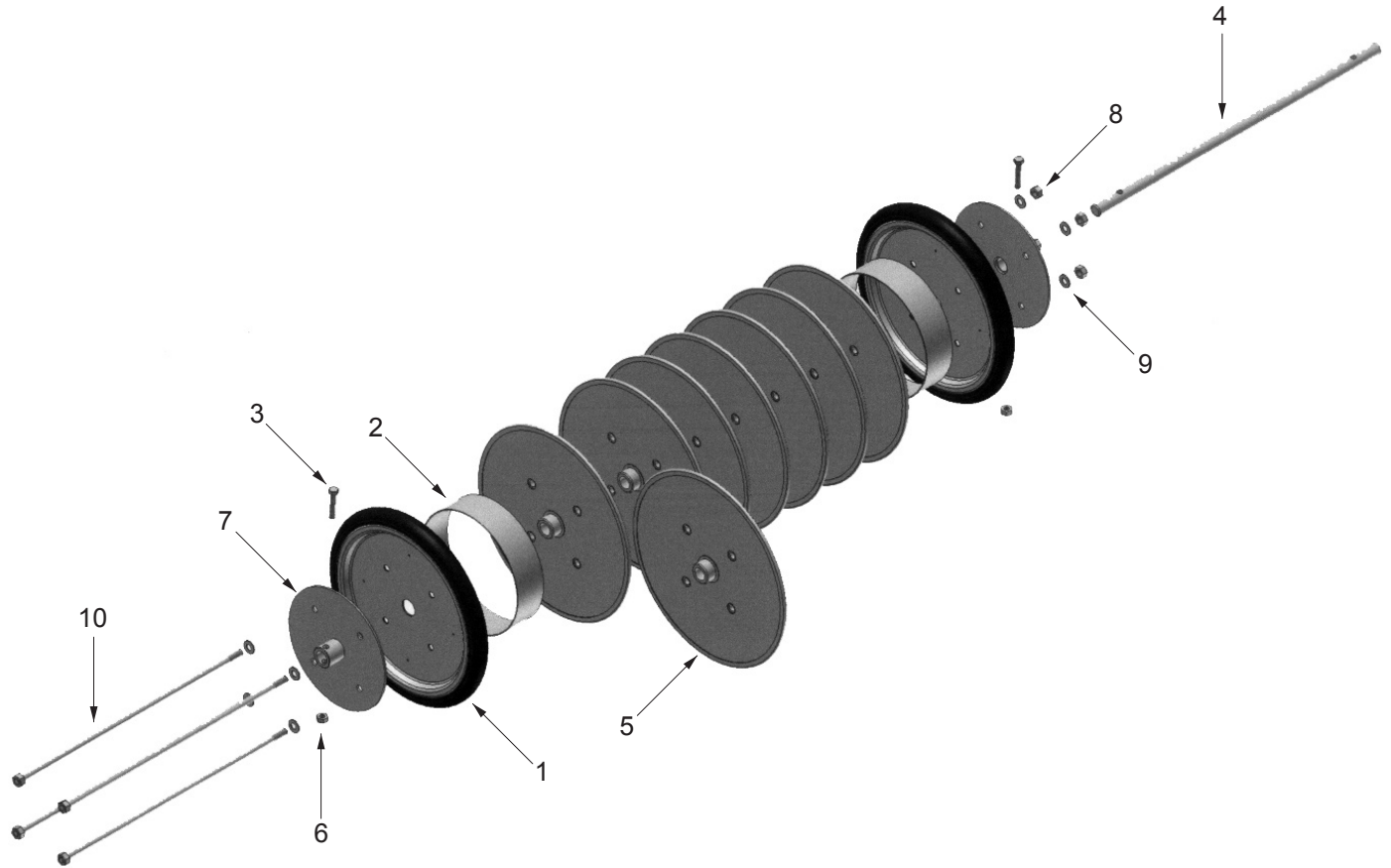
*See page 3 for drum assembly.

Key Number/Item Description/Quantity/Part Number

1	Front Gang Weldment	1	81400
2	3/8-16 X 2.50 Hex Head Bolt (M10-1.5 X 65mm)	8	
3	3/8 Dia. Flatwasher (M10)	8	
4	Bushing	2	83101
5	3/8-16 Nylon Lock Nut (M10)	8	
6	End Cap	4	83120
7	Bearing Pillow Block	4	83116
8	Front Gang Drum Spacer	4	83110
9	Front Gang Drum Assembly	2	81500
10	Grease Zerker	1	

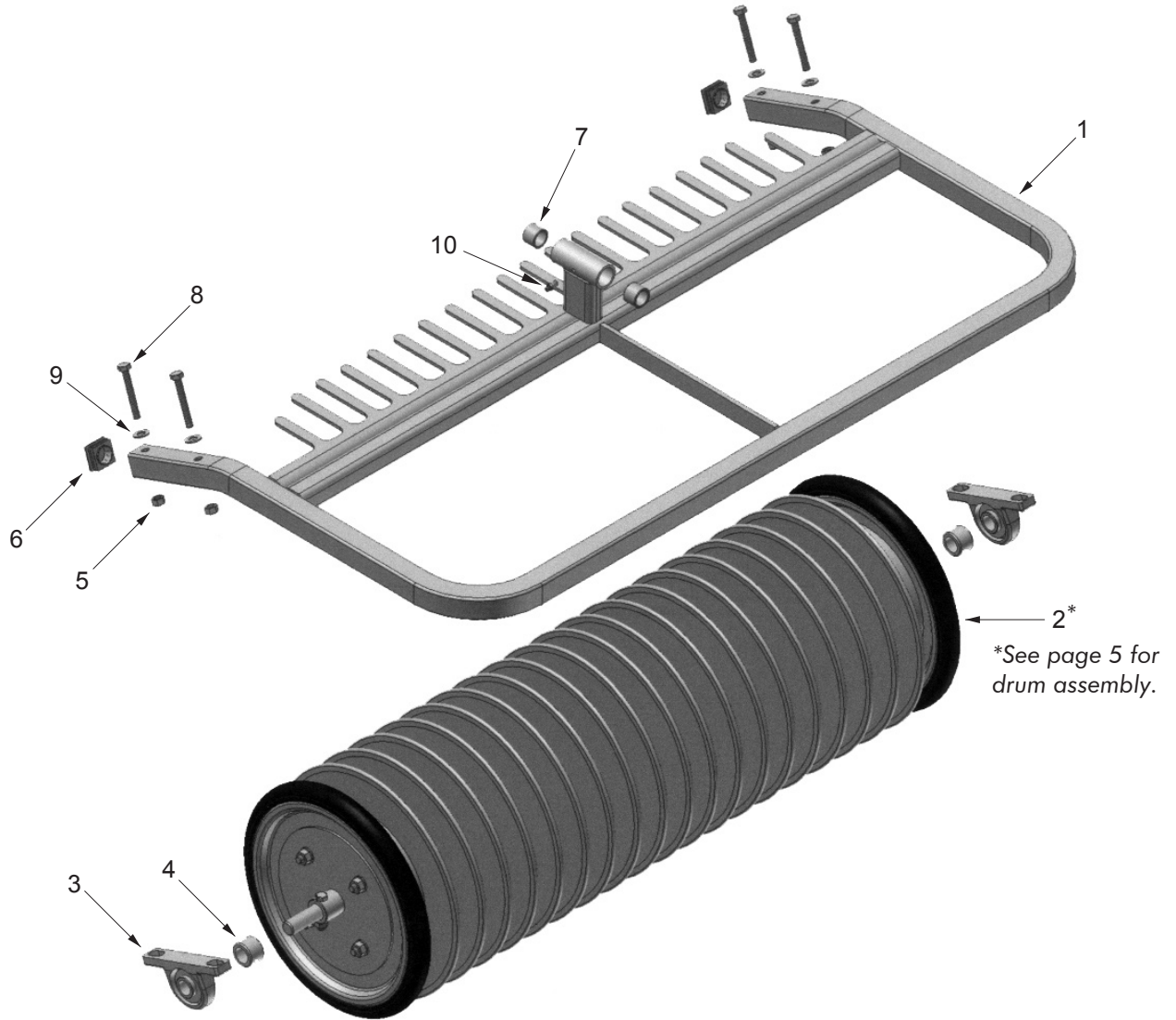
MAGNUM HARVESTER FRONT GANG DRUM ASSEMBLY

81500



Key Number/Item Description/Quantity/Part Number

1	Semi-Pneumatic Tire w/hub	2	81700
2	Spacer	2	81501
3	5/16-18 X 1-3/4 Hex Head Bolt (M8-1.25 X 45mm)	2	
4	Front Gang Axle	1	81502
5	Plastic Disc (.76 Dia. ID)	8	81503
6	5/16-18 Nylon Lock Nut (M8)	2	
7	Hub Weldment	2	81600
8	3/8-16 Nylon Lock Nut (M10)	4	
9	3/8 Dia. Flatwasher (M10)	8	
10	Tie Rod Weldment (Front Gang)	4	81800

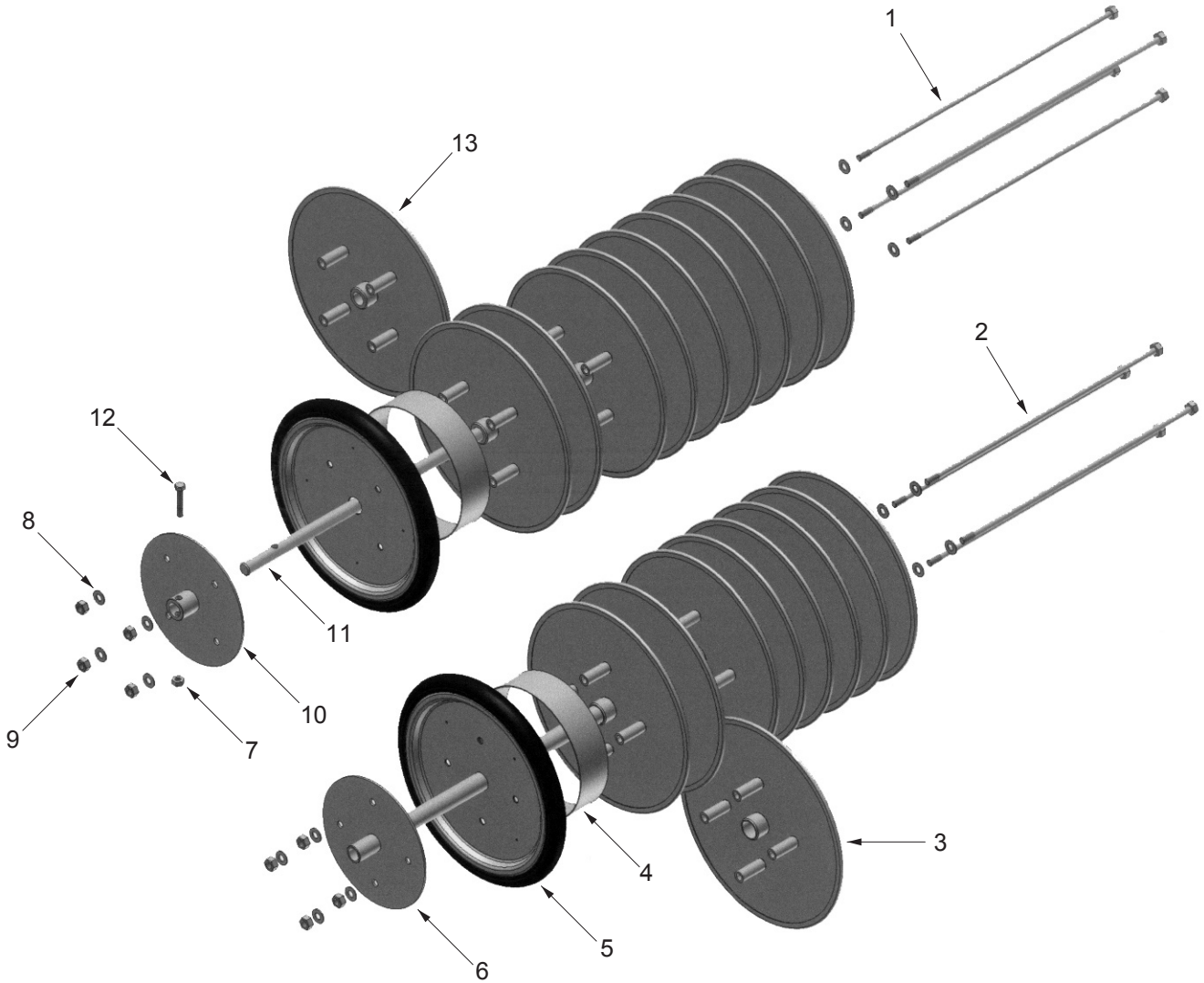


Key Number/Item Description/Quantity/Part Number

1	Back Gang Weldment	1	81900
2	Back Gang Drum Assembly	1	82000
3	Bearing Pillow Block	2	83116
4	Back Gang Drum Spacer	2	83111
5	3/8-16 Nylon Lock Nut (M10)	4	
6	End Cap	2	83120
7	Bushing	2	83101
8	3/8-16 X 2.50 Hex Head Bolt (M10-1.5 X 65mm)	4	
9	3/8 Dia. Flatwasher (M10)	4	
10	Grease Zerk	1	

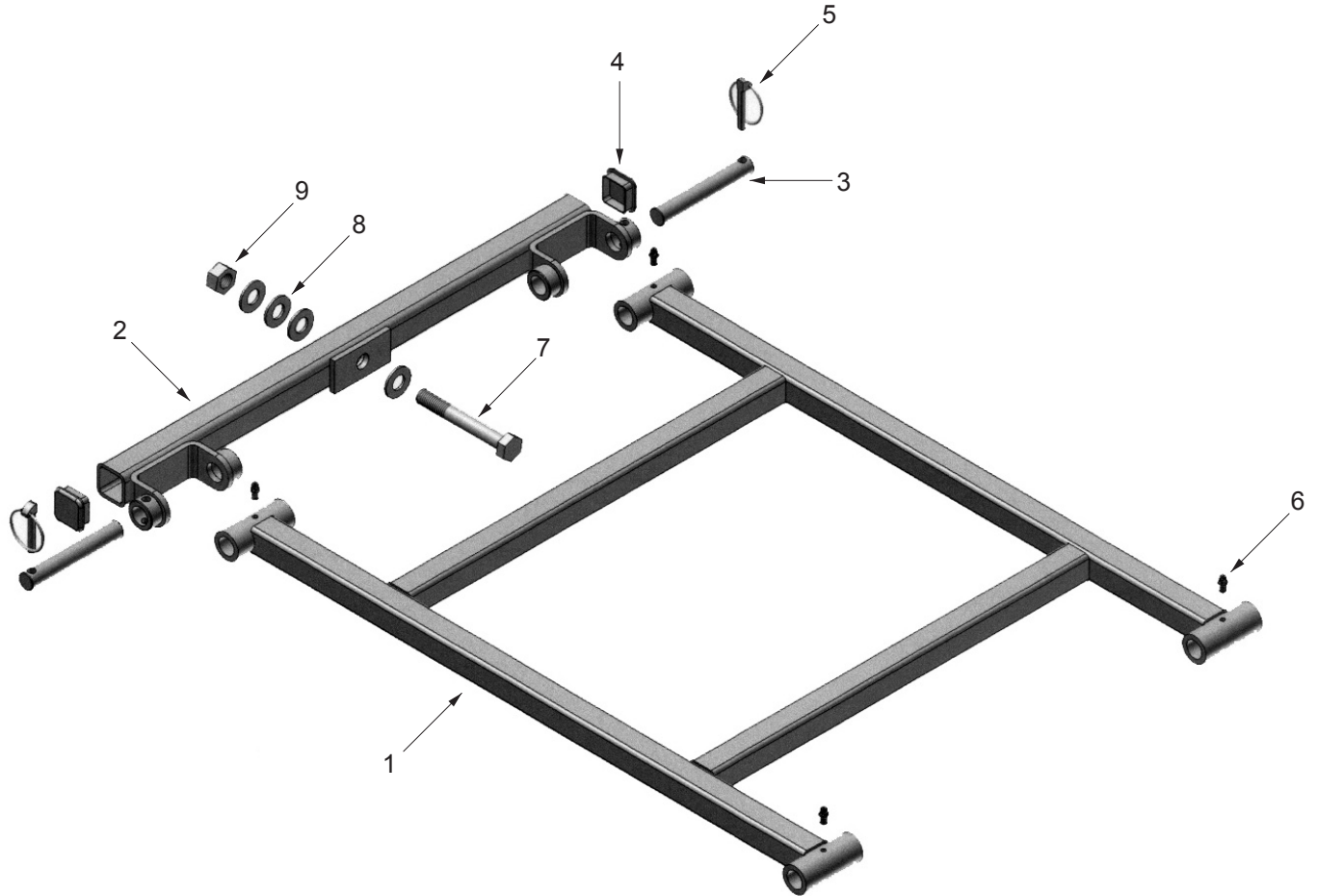
MAGNUM HARVESTER BACK GANG DRUM ASSEMBLY

82000



Key Number/Item Description/Quantity/Part Number

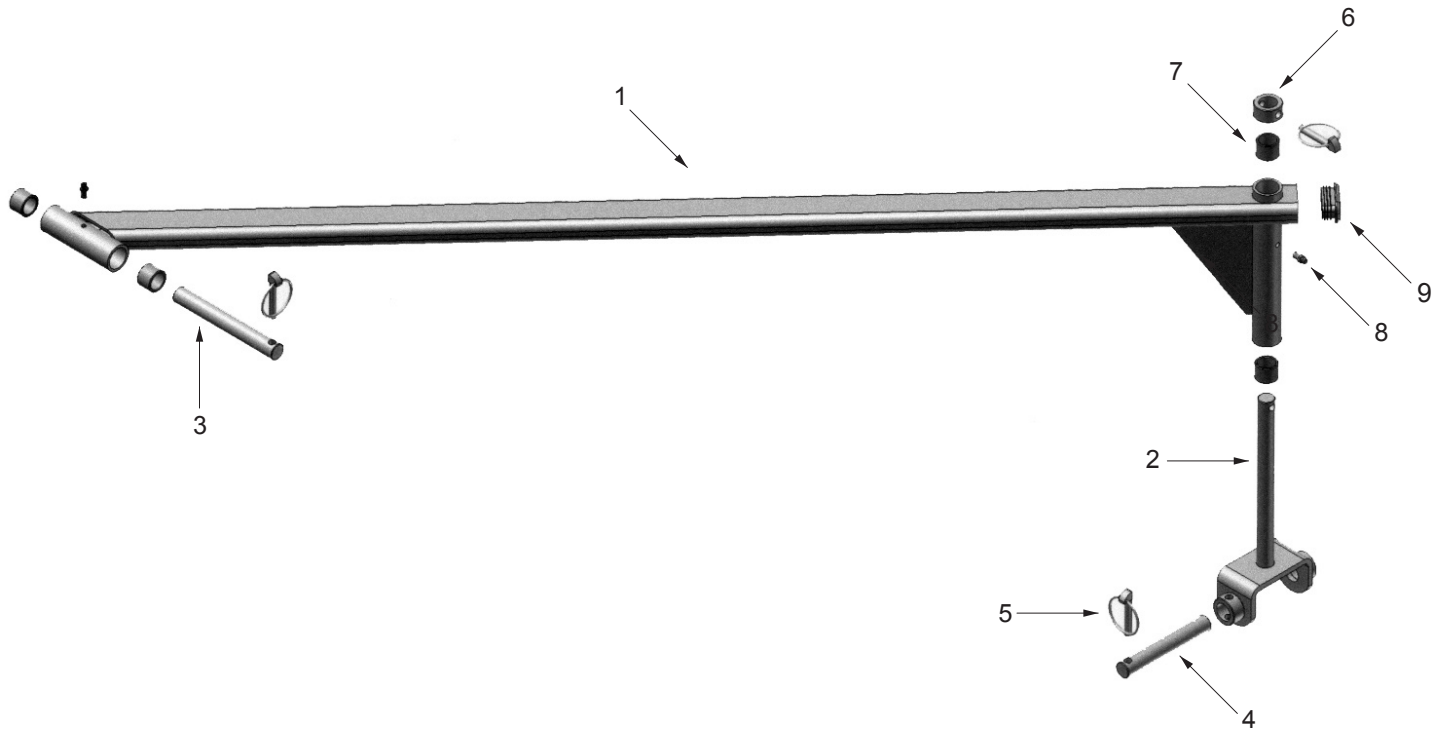
1	Back Tie Rod Weldment (10 Disc)	4	82100
2	Back Tie Rod Weldment (9 Disc)	4	82200
3	Plastic Disc (1.02 Dia. ID)	9	82001
4	Spacer	2	81501
5	Semi-Pneumatic Tire w/hub	2	81700
6	Axle Tube Weldment	1	82300
7	5/16-18 Nylon Lock Nut (M8)	1	
8	3/8 Dia. Flat Washer (M10)	16	
9	3/8-16 Nylon Lock Nut (M10)	8	
10	Hub Weldment	1	81600
11	Back Axle Shaft	1	82002
12	5/16-18 X 1-3/4 Hex Head Bolt (M8-1.25 X45mm)	1	
13	Plastic Disc (.76 Dia. ID)	10	81503

**Key Number/Item Description/Quantity/Part Number**

1	Push Frame	1	82500
2	Pivot Bracket	1	82400
3	Pivot Pin 3/4" (19mm) Dia.	2	83103
4	End Cap	2	83118
5	Safety Snap Pin	2	83123
6	Grease Zerk	4	
7	5/8-11 X 4-1/2 Hex Head Bolt (M16-2 X120mm)	1	
8	.625 Flatwasher	4	
9	5/8-11 Nylon Lock Nut	1	

MAGNUM HARVESTER LEFT ARM EXTENSION ASSEMBLY

80800

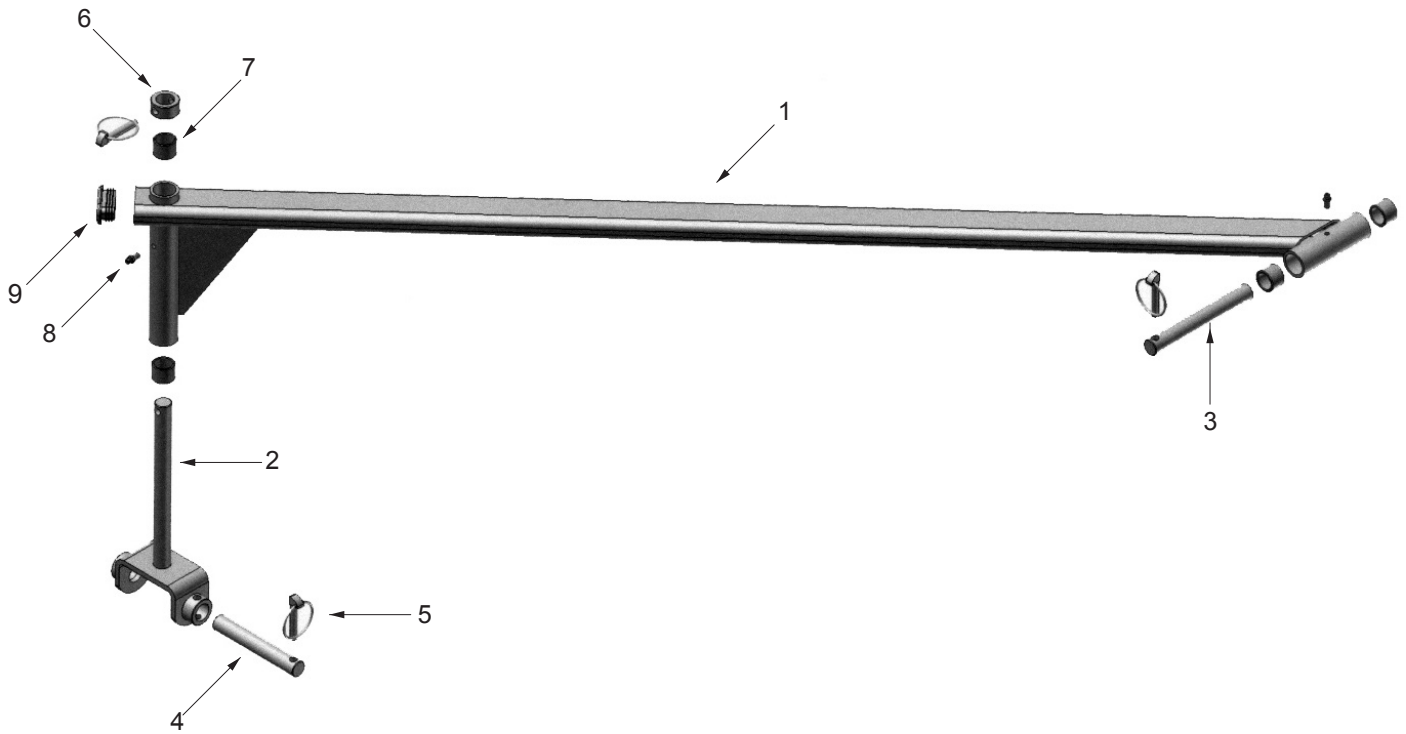


Key Number/Item Description/Quantity/Part Number

1	Left Arm Extension	1	82600
2	Gang Pin	1	81300
3	Extend Pin 3/4" (19mm) Dia.	1	83107
4	Pivot Pin 3/4" (19mm) Dia.	1	83103
5	Safety Snap Pin	3	83123
6	Pin Collar	1	83102
7	Bushing	4	83101
8	Grease Zerk	2	
9	End Cap	1	83122

MAGNUM HARVESTER RIGHT ARM EXTENSION ASSEMBLY

80900

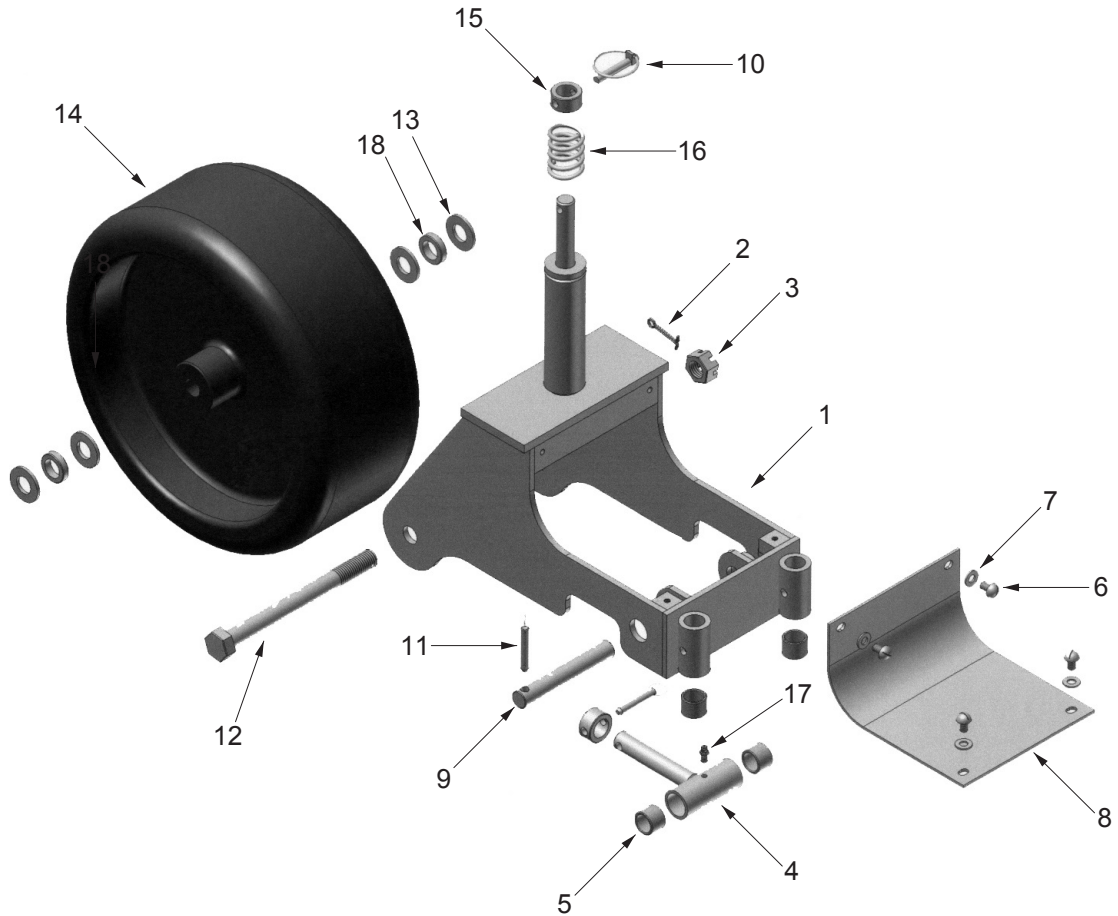


Key Number/Item Description/Quantity/Part Number

1	Right Arm Extension	1	82700
2	Gang Pin	1	81300
3	Extend Pin 3/4" (19mm) Dia.	1	83107
4	Pivot Pin 3/4" (19mm) Dia.	1	83103
5	Safety Snap Pin	3	83123
6	Pin Collar	1	83102
7	Bushing	4	83101
8	Grease Zerk	2	
9	End Cap	1	83122

MAGNUM HARVESTER FRONT TIRE ASSEMBLY

81000

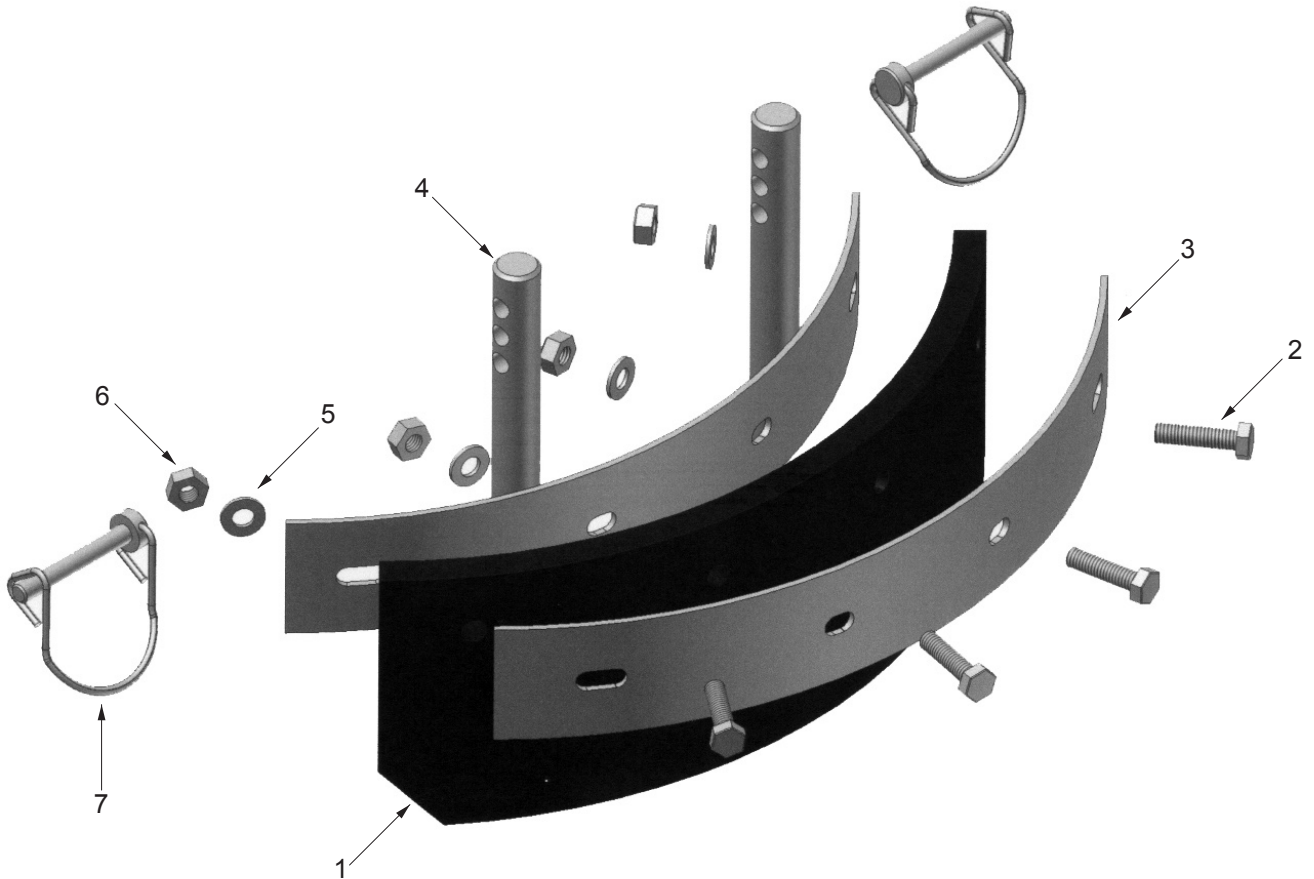


Key Number/Item Description/Quantity/Part Number

1	Tire Weldment	1	82800
2	5/32 Dia. X 1-1/2 Large Cotter Pin	1	
3	3/4-10 Slotted Nut	1	
4	Pin Assembly	1	82900
5	Bushing	4	83101
6	5/16-18 X .50 Round Head Slotted Machine Screw	4	
7	5/16 Dia. Lockwasher (M8)	4	
8	Cover	1	83105
9	Pivot Pin 3/4" (19mm) Dia.	1	83103
10	Safety Snap Pin	1	83123
11	Quick Release Pin	2	83113
12	Tire Axle Bolt	1	83104
13	3/4 Dia. Flatwasher (M20)	4	
14	Turf Tire	1	83114
15	Pin Collar	2	83102
16	Spring	1	83115
17	Grease Zerk	1	
18	Front Gang Drum Spacer	2	83110

MAGNUM HARVESTER BALL DEFLECTOR ASSEMBLY

81100

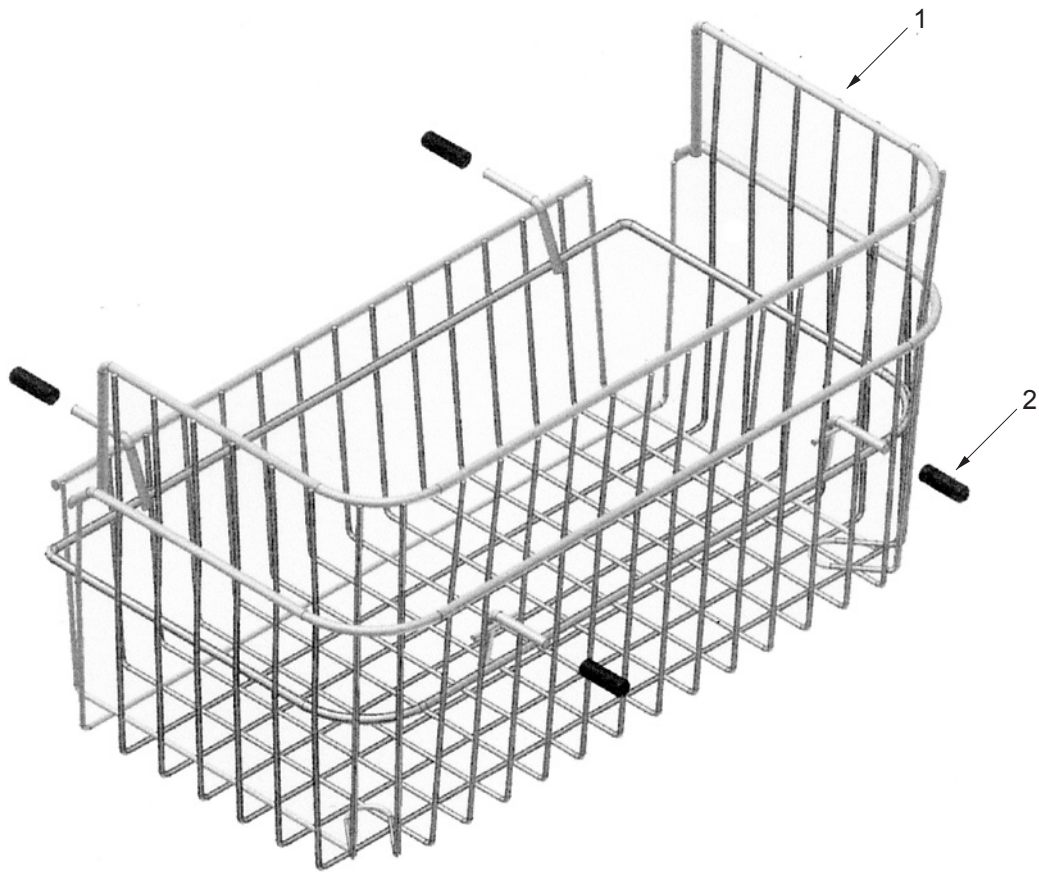


Key Number/Item Description/Quantity/Part Number

1	Rubber Deflector	1	83108
2	5/16-18 X 1.25 Hex Head Bolt (M8-1.25 X 35mm)	4	
3	Deflector Strap	1	83109
4	Ball Deflector Weldment	1	83000
5	5/16 Dia. Flatwasher (M8)	4	
6	5/16-18 Nylon Lock Nut (M8-1.25)	4	
7	Safety Snap Ring	2	83112

MAGNUM HARVESTER WIRE BASKET ASSEMBLY

83119



Key Number/Item Description/Quantity/Part Number

	Wire Basket Assembly	1	83119
1	Wire Basket	1	
2	Rubber Tip	4	